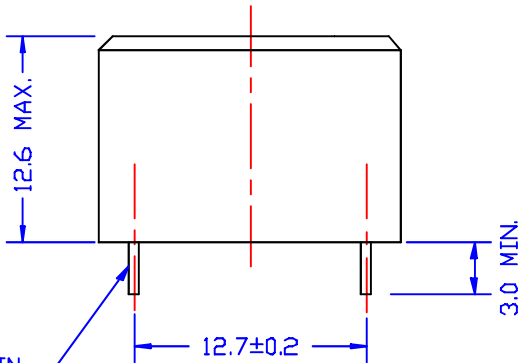
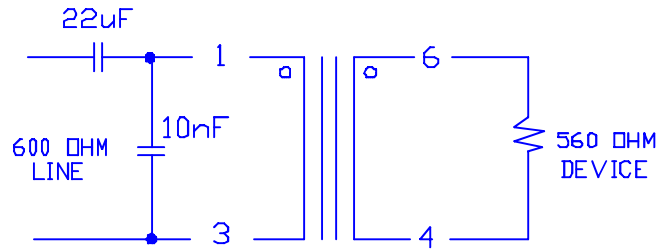
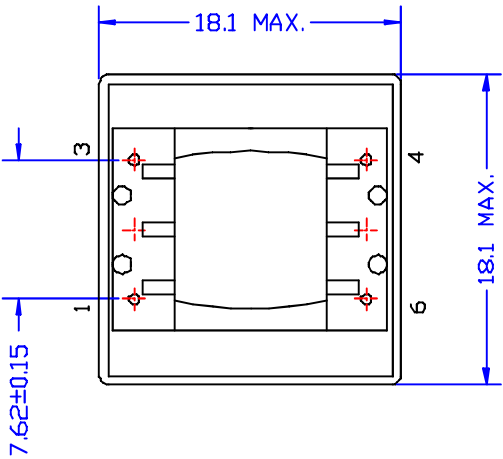


DOT PIN#1
 ATs-411
 Atech



0.5 SQ. PIN
 OR Ø0.6 PIN



ELECTRICAL CHARACTERISTICS:

1. D.C.R. : PIN 1-3 = 78.5 OHM+/-10% PIN 6-4 = 107 OHM+/-12%.
2. INDUCTANCE (@200HZ, 5mVrms, PARALLEL) : PIN 1-3 = 6H MIN.
3. RETURN LOSS : (REF. 600 OHM)200 TO 4KHZ = 16dB MIN.
4. INSERTION LOSS : (1KHZ, 1Vrms) PIN 1-3 = 1.5dB MAX.
5. FREQ. RESPONSE: (REF. 1KHZ) 200 TO 4KHZ = +/-0.15dB
6. TURN RATIO : (10KHZ, 1Vrms) PIN 1-3 : 6-4 = 1+/-1%.
7. HI-POT : (@2.2KVAC, 1mA, 2SEC.) PRI. - SEC.

						 Atech [®] Atech Technology Co., Ltd. TEL:(02)2784-8867 FAX:(02)2784-8804	TITLE 600 : 560 TRANSFORMER	
							DWG. NO. ATs-411	
RELEASE						UNITS:	SAFETY	
NO:	DESCRIPTION	DATE	BY	CHK	APPD	DATE	SHEET 1 OF 1	
REVISIONS						DRAW		